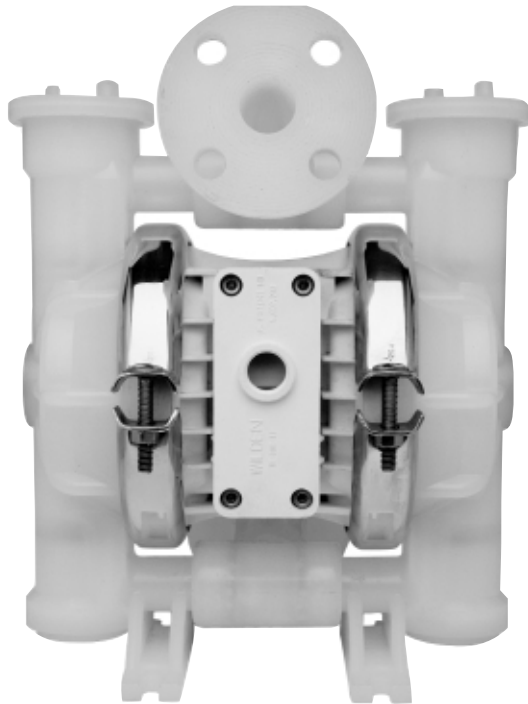




WILDEN®

AIR OPERATED DOUBLE DIAPHRAGM PUMPS

A **DOVER** RESOURCES COMPANY



PROFLO™
PROGRESSIVE PUMP TECHNOLOGY

P2R Plastic Pump

FLOW RATE TO 37 GPM (140.0 LPM)
MAXIMUM OPERATING PRESSURE = 125 PSI (8.6 BAR)

Specifications

WETTED HOUSINGS (Water Chambers and Manifolds)

MATERIAL	SHIP WT.
Polypropylene	18 lbs. (8.3 kg.)
PVDF	23 lbs. (10.4 kg.)

NON-WETTED HOUSINGS

DESCRIPTION	MATERIAL
Center Section	Polypropylene

Air Valve Polypropylene

MAXIMUM SUCTION LIFT CAPABILITY

DRY LIFT
18' (5.5 m)

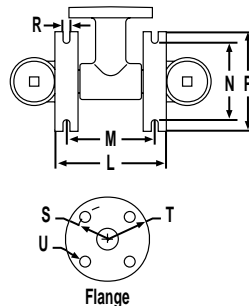
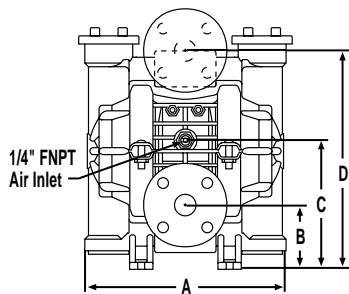
The above figure represents the rubber-fitted pump capability.

MAXIMUM DIAMETER SOLIDS

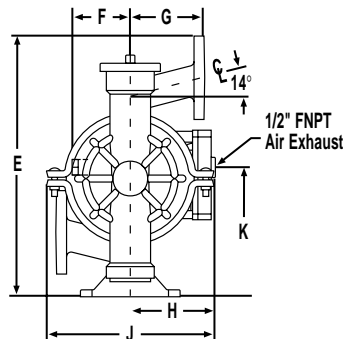
1/8" (3.18 mm) Diameter

ELASTOMER OPTIONS

MATERIAL	TEMPERATURE LIMITS
Polyurethane	+10 (-12.2) to +150 (65.6) F° (C°)
Neoprene	0 (-17.8) to +200 (93.3) F° (C°)
Buna-N®	+10 (-12.2) to +180 (82.2) F° (C°)
Nordeal®	-60 (-51.1) to +280 (137.8) F° (C°)
Viton®	-40 (-40.0) to +350 (176.7) F° (C°)
Saniflex™	-20 (-28.9) to +220 (104.4) F° (C°)
Teflon® PTFE	+40 (4.4) to +300 (148.9) F° (C°)
Wil-Flex™	-40 (-40.0) to +225 (107.2) F° (C°)

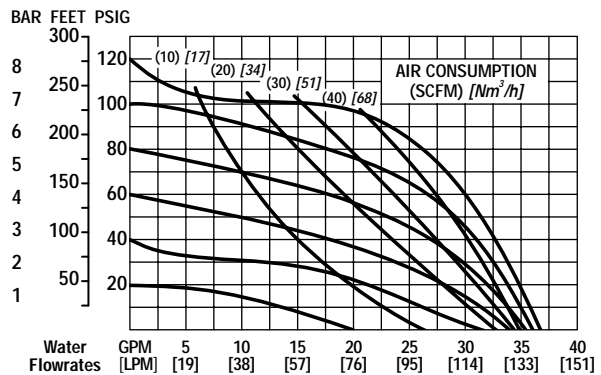


DIMENSIONS - P2R PLASTIC		
ITEM	STANDARD (inch)	METRIC (mm)
B	2 29/32	73.8
D	12 1/8	308.0
F	2 31/32	75.4
H	4 19/32	116.7
K	6 15/16	176.2
M	4 29/32	124.5
P	5 7/16	138.1
	STANDARD	INT'L.
T	2 1/8 RAD.	57.2 RAD.



DIN type flanges available for liquid inlet and discharge.
Refer to the EOM manual for TPE performance curve.

RUBBER-FITTED P2R PLASTIC PUMP



TEFLON®-FITTED P2R PLASTIC PUMP

