

PS220/PS230 FIT METAL PUMP

25 mm (1") Pump
Maximum Flow Rate:
254 lpm (56 gpm)

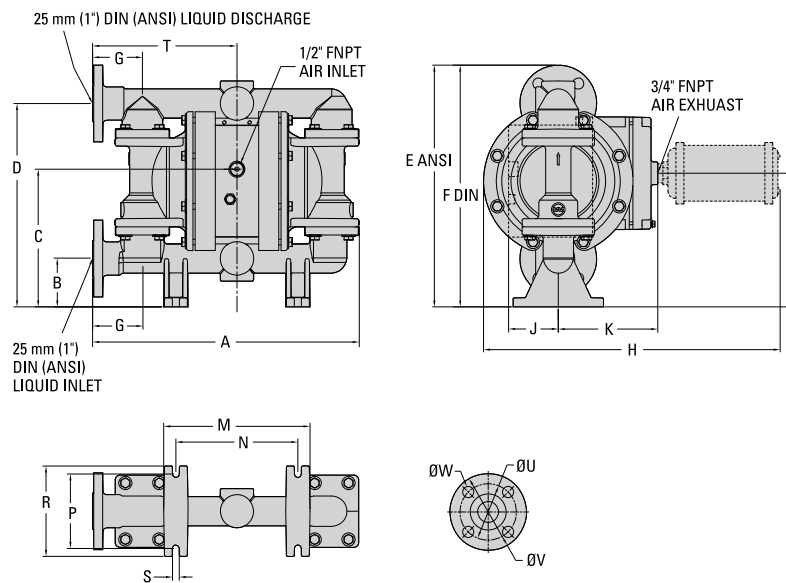
DIMENSIONAL DRAWINGS

PUMP DATA

Specifications:

- Ship Weight..... Aluminum 19 kg (41 lb)
- Ductile Iron 29 kg (64 lb)
- 316 Stainless Steel 31 kg (68 lb)
- Air Inlet 13 mm (1/2")
- Liquid Inlet 25 mm (1")
- Liquid Outlet 25 mm (1")

PS230 Stainless Steel



DIMENSIONS

ITEM	METRIC (mm)	STANDARD (inch)
A	373	14.7
B	69	2.7
C	195	7.6
D	287	11.3
E	340	13.4
F	343	13.5
G	71	2.8
H	417	16.4
J	71	2.8
K	140	5.5
L	188	7.4
M	206	8.1
N	173	6.8
P	104	4.1
R	127	5.0
S	10	0.4
T	203	8.0
DIN FLANGE		
U	85 DIA.	3.1 DIA.
V	115 DIA.	4.3 DIA.
W	14 DIA.	0.6 DIA.

LW0366 REV. A

PS220/PS230 FIT METAL PUMP

PERFORMANCE

PS220/PS230 METAL FULL-STROKE PTFE-FITTED

Max. Flow Rate.....238 lpm (52 gpm)
 Max. Inlet Pressure8.6 bar (125 psig)
 Max. Solids Passage.....6.4 mm (1/4")
 Max. Suction Lift.....5.2 m Dry (17.0')
 9.0 m Wet (29.5')

